

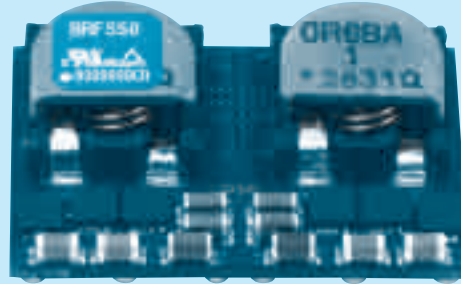
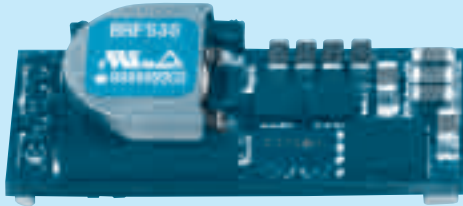
BRFS

BRF S 30 -□

① ② ③ ④



RoHS



- ① Series name
- ② Single output
- ③ Output current
30:30A
50:50A
- ④ Optional
R : Positive logic remote on/off
I : POWERGOOD (only BRFS30)
*BRFS50 has POWERGOOD function normally.

MODEL	BRFS30	BRFS50
MAX OUTPUT CURRENT[A]	30.0	50.0
DC OUTPUT	0.8 - 3.63V	0.7 - 2.0V

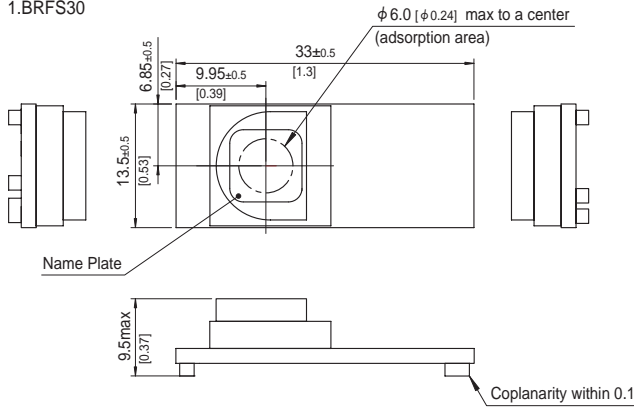
SPECIFICATIONS

	MODEL	BRFS30	BRFS50
INPUT	VOLTAGE[V]	DC4.5 - 14.0	
	CURRENT[A]	*1 3.41 typ	5.68 typ
	EFFICIENCY[%]	*1 88 typ	88 typ
OUTPUT	VOLTAGE[V]	*2 0.8 - 3.63V	0.7 - 2.0V
	CURRENT[A]	30	50
	LINE REGULATION[mV]	5	
	LOAD REGULATION[mV]	5	
	RIPPLE[mVp-p]	*3 25	
	RIPPLE NOISE[mVp-p]	*3 50	
	OUTPUT VOLTAGE SETTING [%Vo]	±1	
	DRIFT[mV]	*4 5	
	START-UP TIME[ms]	8.0 typ	
	OUTPUT VOLTAGE ADJUSTMENT RANGE [V]	Adjustable by external resistor 0.8 - 3.63	
OUTPUT VOLTAGE TOTAL REGULATION [%Vo]*5	±3		
PROTECTION CIRCUIT AND OTHERS	OVERCURRENT PROTECTION	Works over 105% of rating (auto recovery type)	
	REMOTE SENSING	Available (+S only)	Available
	REMOTE ON/OFF	Available Negative logic L:ON, H:OFF	
ISOLATION	INPUT-OUTPUT	non-isolated	
ENVIRONMENT	OPERATING TEMP., HUMID. AND ALTITUDE	-40 to +85°C, 20-95%RH (Non condensing) (Refer to DERATING CURVE) 3,000m (10,000feet) max	
	STORAGE TEMP., HUMID. AND ALTITUDE	-40 to +100°C, 20-95%RH (Non condensing), 9,000m (30,000feet) max	
	VIBRATION	10-55Hz, 49.0m/s ² (5G), 3minutes period, 60minutes each along X, Y and Z axis	
	IMPACT	196.1m/s ² (20G), 11ms, once each along X, Y and Z axis	
SAFETY	AGENCY APPROVALS	UL60950-1, C-UL (CSA60950-1), EN60950	
OTHERS	CASE SIZE/WEIGHT	33.0×9.5×13.5mm (W×H×D) / 10g max	33.0×9.5×22.9mm (W×H×D) / 15g max
	COOLING METHOD	Convection / Forced air	

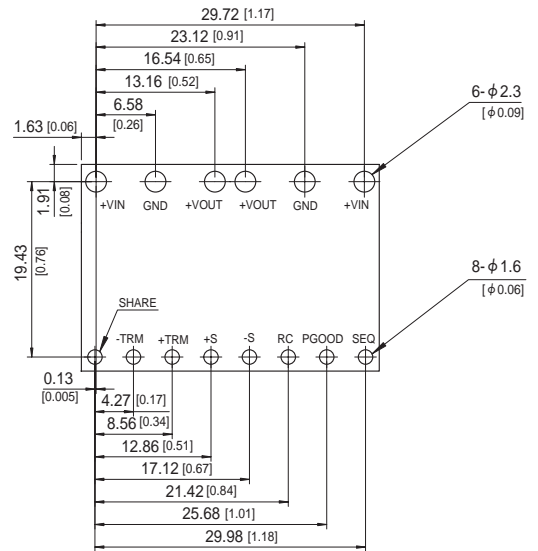
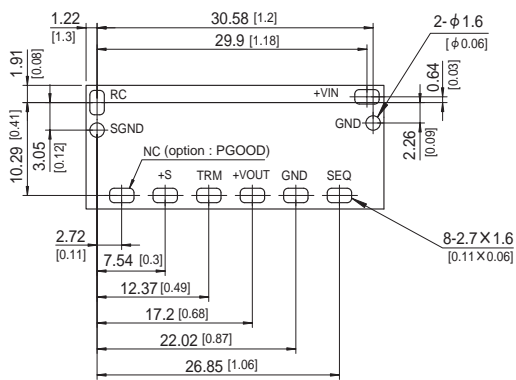
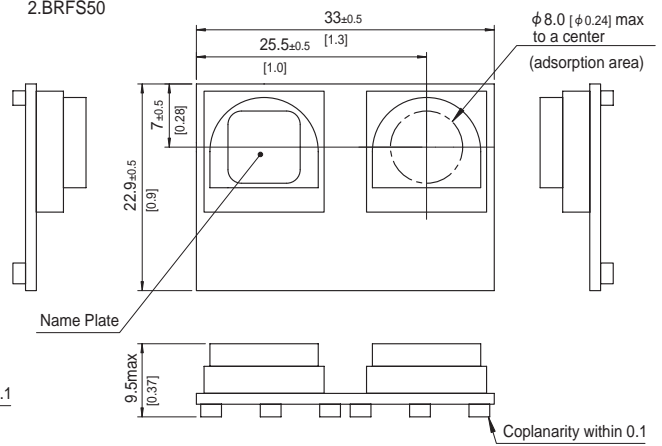
*1 AT rated input (DC12V) and rated output (1.2V) Ta=25°C.
 *2 Output voltage is adjusted to the minimum when TRM is opened.
 *3 Ripple and ripple noise is measured by using measuring board with ceramic capacitor at 50mm from output pin.
 *4 Drift is the change in DC output for an eight hour period after a half - hour warm - up at 25°C, with the input voltage held.
 *5 Output voltage setting is added line regulation and load regulation and temperature regulation used resistance of the 0.5% tolerance.

External view

1. BRFS30



2. BRFS50



※ Tolerance : ± 0.3
 ※ Dimensions in mm, [] =inches
 ※ Weight : 10g max
 ※ Terminal material : copper
 ※ Plating treatment of terminal : Lead free plating

※ Tolerance : ± 0.3
 ※ Dimensions in mm, [] =inches
 ※ Weight : 15g max
 ※ Terminal material : copper
 ※ Plating treatment of terminal : Lead free plating

