

# SNDPG750

## SNDPG 750

① ②



① Series name  
② Output power  
750 : 750W (ACIN 200V)



\* Please note that the unit's internal components is damaged if the output is short-circuit.

MODEL	SNDPG750	
AC INPUT[V]	AC85 - 264	AC170 - 264
MAX OUTPUT WATTAGE[W]	*1 500	750
DC OUTPUT VOLTAGE[V]	*2 360	

### SPECIFICATIONS

	MODEL	SNDPG750		
INPUT	VOLTAGE[V]	AC85 - 264 1 φ		
	POWER FACTOR CORRECTION RANGE[V]	AC85 - 264 1 φ		
	CURRENT[A]	5.72typ (ACIN 100V)	4.24typ (ACIN 200V)	
	FREQUENCY[Hz]	50/60 (47 - 63)		
	INRUSH CURRENT[A]	AC100V	20/20 typ (Io=100%) (Primary inrush current / Secondary inrush current) (More than 10 sec. to re-start)	
		*3 AC200V	40/20 typ (Io=100%) (Primary inrush current / Secondary inrush current) (More than 10 sec. to re-start)	
	EFFICIENCY[%]	93typ (ACIN 100V)	96typ (ACIN 200V)	
	POWER FACTOR	0.96typ (ACIN 100V)	0.93typ (ACIN 200V)	
LEAKAGE CURRENT[ma]	0.75 max (60Hz, According to IEC60950 and DEN-AN)			
OUTPUT	WATTAGE[W]	500	750	
	VOLTAGE[V]	*2 360		
	VOLTAGE ACCURACY	*4 ±2%		
PROTECTION CIRCUIT AND OTHERS	OVERVOLTAGE PROTECTION[V]	DC400 - 450V The power factor corrector function stops		
	ENA	*5	Enable signal, Open-correcter output	
	OTHERS	*6	Parallel operation impossible , Thermal protection	
ISOLATION	INPUT-OUTPUT	Non isolated		
	INPUT, OUTPUT-FG	AC2,800V 1minute Cutoff current = 10mA, DC500V, 50MΩ min (20±15°C)		
ENVIRONMENT	OPERATING TEMP., HUMID. AND ALTITUDE *8	-20 to +95°C (Aluminum base plate of the power module), 20 - 95%RH (Non condensing) (Refer to DERATING CURVE) 3,000m (10,000feet) max		
	STORAGE TEMP., HUMID. AND ALTITUDE	-20 to +95°C, 20 - 95%RH (Non condensing), 9,000m (30,000feet) max		
	VIBRATION	10 - 55Hz, 19.6m/s <sup>2</sup> (2G), 3minutes period, 60minutes each along X, Y and Z axis		
	IMPACT	196.1m/s <sup>2</sup> (20G), 11ms, once each along X, Y and Z axis		
SAFETY	SAFETY AGENCY APPROVALS	UL60950-1, C-UL, EN60950-1, Complies with DEN-AN		
	CONDUCTED NOISE	Complies with FCC-A, VCCI-A, CISPR22-A, EN55011-A, EN55022-A		
	HARMONIC ATTENUATOR *7	Complies with IEC61000-3-2		
OTHERS	CASE SIZE/WEIGHT	125 X 44.5 X 127mm [4.92 X 1.75 X 5.0inches] (W X H X D) / 600g max		
	COOLING METHOD	Conduction cooling (e.g. heat radiation from the aluminum base plate to the attached heat sink)		

\*1 Refer to the instruction manual 2.

\*2 When the input voltage is more than 240V, the output voltage becomes the value proportional to the input voltage.

\*3 The value is primary surge. The current of input surge to a built-in noise filter (0.2ms or less) is excluded.

\*4 The value included the output setting and the line regulation, the load regulation and the

temperature regulation.

However, the input voltage is less than 240V.

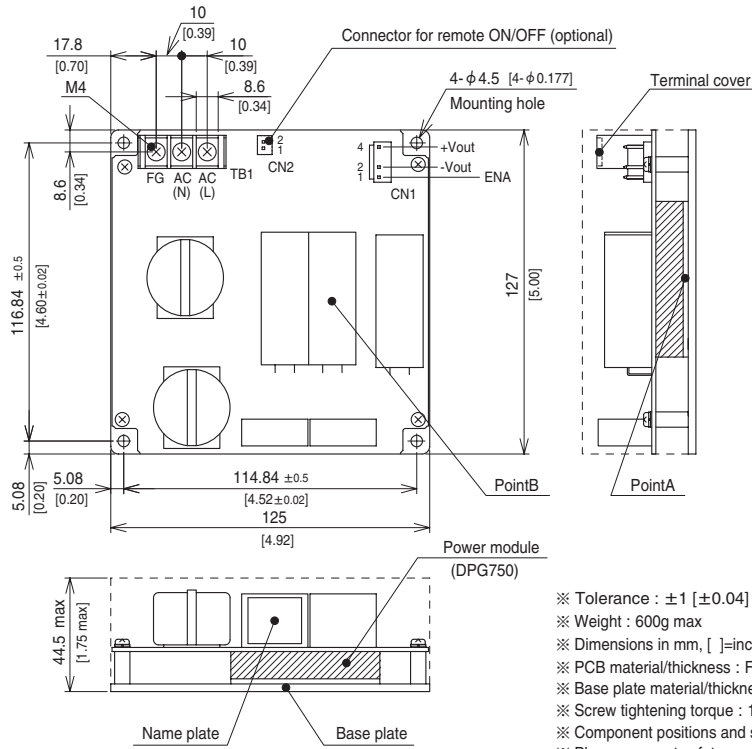
\*5 Refer to the instruction manual 4.4.

\*6 The thermal protection stops the power factor corrector function and the ENA signal.

\*7 Please contact us about class C.

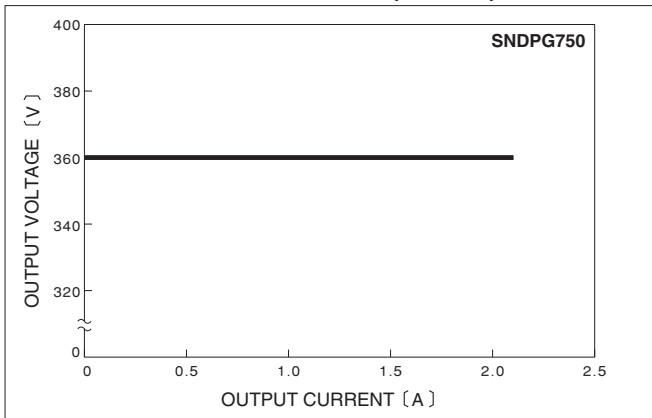
\*8 Refer to the instruction manual 6.2.

## External view

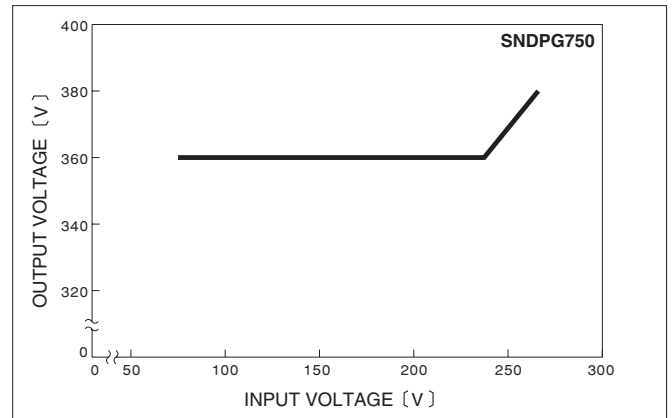


## Performance data

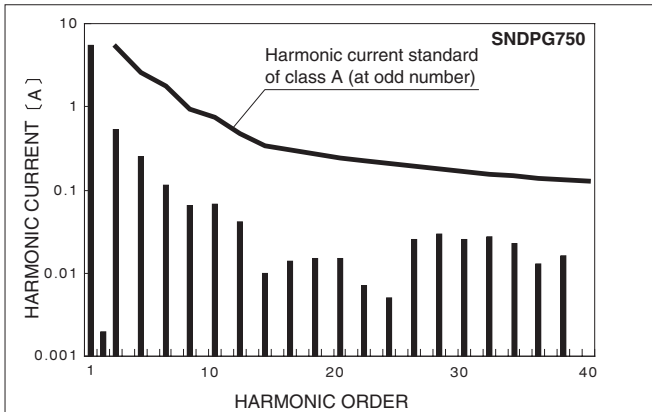
### ■ STATIC CHARACTERISTICS (AC230V)



### ■ OUTPUT VOLTAGE FOR INPUT



### ■ HARMONIC CURRENT (AC100V)



### ■ HARMONIC CURRENT (AC230V)

